

medical**bees**
System-driven Surgery
Operieren mit System

Wundspreizer | Retractors





RIBBON

	B – width	Länge – Length
MB1-01-001-10	6 mm – ¼"	152 mm – 6"
MB1-01-001-13	13 mm – ½"	152 mm – 6"
MB1-01-001-16	19 mm – ¾"	152 mm – 6"
MB1-01-001-17	25 mm – 1"	152 mm – 6"
MB1-01-001-18	38 mm – 1½"	152 mm – 6"
MB1-01-001-19	16 mm – 5/8"	171 mm – 6¾"
MB1-01-001-22	25 mm – 1"	190 mm – 7½"
MB1-01-001-25	6 mm – ¼"	203 mm – 8"
MB1-01-001-28	9 mm – 23/64"	203 mm – 8"
MB1-01-001-31	13 mm – ½"	203 mm – 8"
MB1-01-001-34	16 mm – 5/8"	203 mm – 8"
MB1-01-001-37	19 mm – ¾"	203 mm – 8"
MB1-01-001-40	12 mm – ½"	200 mm – 8"
MB1-01-001-43	17 mm – 43/64"	200 mm – 8"
MB1-01-001-46	25 mm – 1"	203 mm – 8"
MB1-01-001-49	25 mm – 1"	254 mm – 10"
MB1-01-001-52	38 mm – 1½"	203 mm – 8"
MB1-01-001-55	20 mm – ¾"	330 mm – 13"
MB1-01-001-58	25 mm – 1"	330 mm – 13"
MB1-01-001-61	30 mm – 13/16"	330 mm – 13"
MB1-01-001-64	32 mm – 1¼"	330 mm – 13"
MB1-01-001-67	35 mm – 113/32"	330 mm – 13"
MB1-01-001-70	38 mm – 1½"	330 mm – 13"
MB1-01-001-73	40 mm – 119/32"	330 mm – 13"
MB1-01-001-76	45 mm – 1¾"	330 mm – 13"
MB1-01-001-79	50 mm – 2"	330 mm – 13"
MB1-01-001-82	64 mm – 2½"	330 mm – 13"
MB1-01-001-85	76 mm – 3"	330 mm – 13"
MB1-01-001-88	102 mm – 4"	330 mm – 13"

Wundhaken, Edelstahl, 1.25 mm dick, biegsam
Retractor, Stainless steel, 1.25 mm thick, malleable



DAVIS

	B - width	Länge – Length
MB1-01-041-10	6 mm – ¼"	178 mm – 7"
MB1-01-041-13	9 mm – 3/8"	178 mm – 7"
MB1-01-041-16	13 mm – ½"	178 mm – 7"
MB1-01-041-19	15 mm – 5/8"	178 mm – 7"
MB1-01-041-22	19 mm – ¾"	178 mm – 7"
MB1-01-041-25	25 mm – 7/8"	178 mm – 7"
MB1-01-041-28	32 mm – 1"	178 mm – 7"
MB1-01-041-31	38 mm – 1½"	178 mm – 7"

Spatel, Edelstahl, 1.0 mm dick, biegsam
Spatula, stainless steel, 1.0 mm thick, malleable



SCOVILLE

	B - width	Länge – Length
MB1-01-011-03	13 mm – ½" 9.5 mm – 3/8"	203 mm – 8"
MB1-01-011-06	19 mm – ¾" 16 mm – 5/8"	203 mm – 8"

Spatel, Edelstahl
Spatula, stainless steel





CRILE

MB1-01-034

104 mm – 4"

Wundhaken

Blatt klein, B: 5 x T: 17 mm

Blatt groß, B: 8 x T: 20 mm

Retractor

Blade small, W: 5 x D: 17 mm

Blade large, W: 8 x D: 20 mm



CRILE

MB1-01-034-02

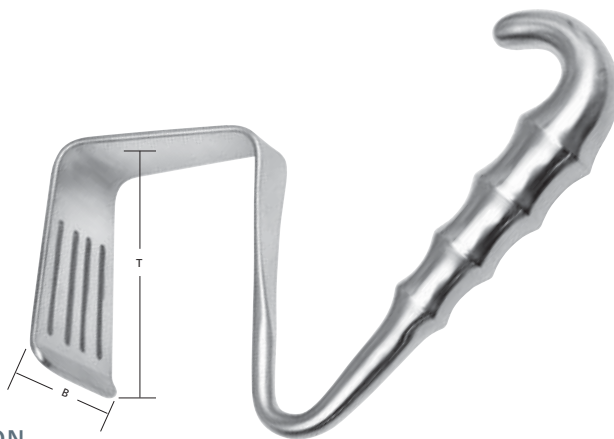
109 mm – 4¼"

Blatt klein, B: 4 x T: 13 mm

Blatt groß, B: 7 x T: 20 mm

Blade small, W: 4 x D: 13 mm

Blade large, W: 7 x D: 20 mm



DAVIDSON

	B – width	T – depth
MB1-01-010-01	50 mm	75 mm
MB1-01-010-02	90 mm	75 mm

Scapula Haken
Scapula retractors



WIEDER

125 mm – 5"	B – width
MB1-01-005-01	36 mm
MB1-01-005-02	29 mm

Zungendrücker
Tongue depressor



US ARMY

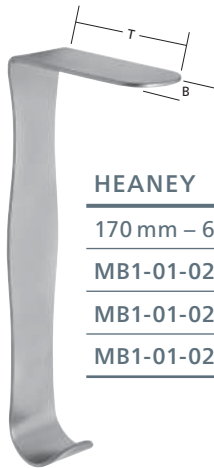
210 mm – 8¼"	B
MB1-01-016-01	15 mm

Wundhaken, Set, 2 Stück
Retractor, set of two



HEANEY

	B – width	T – depth
270 mm – 10 ½ "		
MB1-01-020-01	28 mm	45 mm
MB1-01-020-03	28 mm	73 mm
MB1-01-020-06	28 mm	82 mm



HEANEY

	B – width	T – depth
170 mm – 6 ¾ "		
MB1-01-022-01	28 mm	83 mm
MB1-01-022-03	28 mm	73 mm
MB1-01-022-06	28 mm	25 mm



HIBBS

	B – width	T – depth
235 mm – 9 ¼ "		
MB1-01-030-01	25 mm	75 mm
MB1-01-030-03	19 mm	50 mm



HIBBS

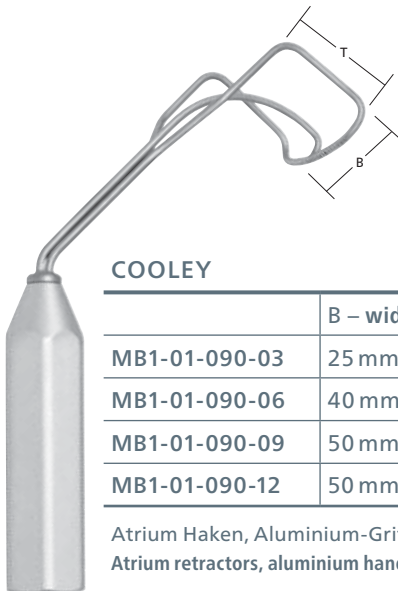
	B – width	T – depth
235 mm – 9 ¼ "		
MB1-01-030-20	19 mm	50 mm

Set, 2 Stück
Set of two

**MEYERDING**

	B – width	T – depth	Länge – length
MB1-01-039-02	16 mm	50 mm	205 mm – 8"
MB1-01-039-04	25 mm	75 mm	225 mm – 9"
MB1-01-039-06	50 mm	90 mm	240 mm – 9½"

Wundhaken, mit Hohlheft
Retractor, with hollow handle

**COOLEY**

	B – width	T – depth	Länge – length	
MB1-01-090-03	25 mm	35 mm	215 mm – 8½"	rechts – right
MB1-01-090-06	40 mm	35 mm	215 mm – 8½"	rechts – right
MB1-01-090-09	50 mm	35 mm	215 mm – 8½"	rechts – right
MB1-01-090-12	50 mm	10 mm	250 mm – 10"	links – left

Atrium Haken, Aluminium-Griff, mit gerieften Zähnen
Atrium retractors, aluminium handle, with serrated teeth



DEAVER

	B – width	Länge – length
MB1-01-100-22	9 mm	178 mm – 7"
MB1-01-100-31	16 mm	200 mm – 8"
MB1-01-100-49	25 mm	203 mm – 8"
MB1-01-100-58	25 mm	228 mm – 9"
MB1-01-100-61	25 mm	267 mm – 10½"
MB1-01-100-64	25 mm	305 mm – 12"
MB1-01-100-67	25 mm	330 mm – 13"
MB1-01-100-70	25 mm	360 mm – 14"
MB1-01-100-73	38 mm	305 mm – 12"
MB1-01-100-76	50 mm	305 mm – 12"
MB1-01-100-79	75 mm	305 mm – 12"
MB1-01-100-82	102 mm	356 mm – 14"

Wundhaken, nach aussen gebogen
Retractor, curved outwards



DEAVER

	B – width	Länge – length
MB1-01-100-25	9 mm	203 mm – 8"
MB1-01-100-28	16 mm	203 mm – 8"
MB1-01-100-34	15 mm	216 mm – 8¼"
MB1-01-100-37	19 mm	178 mm – 7"
MB1-01-100-43	22 mm	203 mm – 8"
MB1-01-100-55	25 mm	203 mm – 8"

Wundhaken, nach innen gebogen
Retractor, curved inwards



DEAVER

	B – width	Länge – length
MB1-01-100-40	19 mm	178 mm – 7"
MB1-01-100-46	22 mm	215 mm – 8½"



DEAVER

	B – width	Länge – length
MB1-01-100-52	25 mm	228 mm – 9"



DEAVER

172 mm – 6¾"	B – width
MB1-01-100-10	8 mm
MB1-01-100-13	10 mm
MB1-01-100-16	12 mm

MB1-01-100-19

Set bestehend aus:
Set includes:
MB1-01-100-10
MB1-01-100-13
MB1-01-100-16



DEAVER GRIP

	B – width	Länge – length
MB1-01-200-03	25 mm	254 mm – 10"
MB1-01-200-06	25 mm	305 mm – 12"
MB1-01-200-09	25 mm	330 mm – 13"
MB1-01-200-15	38 mm	305 mm – 12"
MB1-01-200-18	50 mm	305 mm – 12"
MB1-01-200-21	63 mm	368 mm – 14½"
MB1-01-200-24	75 mm	305 mm – 12"
MB1-01-200-27	89 mm	305 mm – 12"
MB1-01-200-30	102 mm	305 mm – 12"
MB1-01-200-33	102 mm	368 mm – 14½"

Wundhaken, mit Ringkehlenhohlheft
Retractor, with grip handle



HARRINGTON

320 mm – 12½"	B – width	T – depth
MB1-01-405-03	40 mm	127 mm
MB1-01-405-06	62 mm	127 mm
MB1-01-420-03	62 mm	178 mm



HARRINGTON

320 mm – 12½"	B – width	T – depth
MB1-01-405-13	40 mm	127 mm
MB1-01-405-16	62 mm	127 mm

Mit Silikon-Formgriff
With silicone handle



O'SULLIVAN – O'CONNOR

MB1-10-004-01

Bauchdeckenhalter, komplett mit:
 1 Rahmen (MB1-10-004-02)
 1 Valve (MB1-10-004-04)
 2 Valven (MB1-10-004-03)

Retractor, complete with:
 1 Frame (MB1-10-004-02)
 1 Blade (MB1-10-004-04)
 2 Blades (MB1-10-004-03)



MB1-10-004-04

B: 70 mm x T: 110 mm

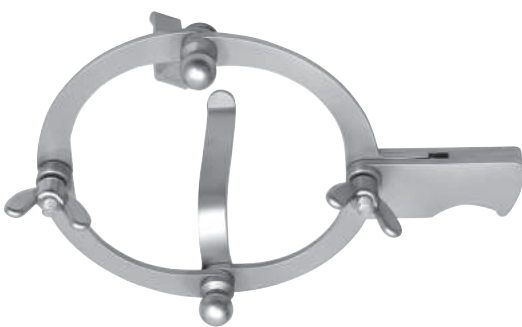
Valve groß
 Blade large



MB1-10-004-03

B: 80 mm x T: 45 mm

Valve klein
 Blade small



O'SULLIVAN – O'CONNOR

MB1-10-005-01

Vaginal Retraktor, komplett mit:
 1 Rahmen (MB1-10-005-03)
 1 Valve (MB1-10-005-05)
 1 Valve (MB1-10-005-07)
 1 Valve (MB1-10-005-09)

Vaginal retractor, complete with:
 1 Frame (MB1-10-005-03)
 1 Blade (MB1-10-005-05)
 1 Blade (MB1-10-005-07)
 1 Blade (MB1-10-005-09)



MB1-10-005-05

B: 44 mm x T: 89 mm

Valve groß
 Blade large



MB1-10-005-07

B: 38 mm x T: 89 mm

Valve mittel
 Blade medium



MB1-10-005-09

B: 13 mm x T: 47 mm

Valve klein
 Blade small

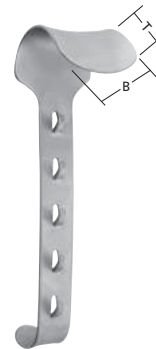
**KIRSCHNER QUADRATISCH - SQUARE****MB1-10-007-01**

Komplett mit:

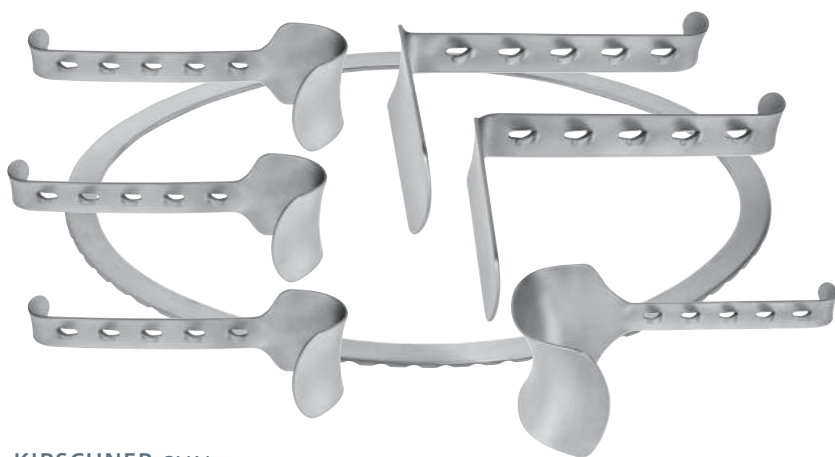
- 1 Rahmen 240x240 mm (MB1-10-007-02)
- 2 Valven (MB1-10-009-02)
- 2 Valven (MB1-10-009-04)

Complete with:

- 1 frame 240 x 240 mm (MB1-10-007-02)
- 2 Blades (MB1-10-009-02)
- 2 Blades (MB1-10-009-04)

**KIRSCHNER**

	B – width	T – depth
MB1-10-009-02	55 mm	40 mm
MB1-10-009-04	65 mm	50 mm
MB1-10-009-06	85 mm	60 mm
MB1-10-009-08	65 mm	78 mm
MB1-10-009-10	90 mm	80 mm

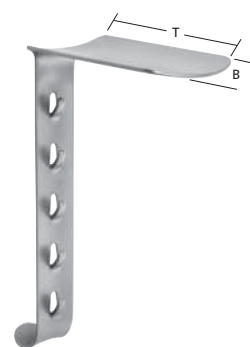
**KIRSCHNER OVAL****MB1-10-008-01**

Komplett mit:

- 1 Rahmen 240x300 mm (MB1-10-008-02)
- 3 Valven (MB1-10-009-04)
- 1 Valve (MB1-10-009-10)
- 1 Valve (MB1-10-009-12)
- 1 Valve (MB1-10-009-14)

Complete with:

- 1 Frame 240 x 300 mm (MB1-10-008-02)
- 3 Blades (MB1-10-009-04)
- 1 Blade (MB1-10-009-10)
- 1 Blade (MB1-10-009-12)
- 1 Blade (MB1-10-009-14)

**KIRSCHNER**

	B – width	T – depth
MB1-10-009-12	50 mm	98 mm
MB1-10-009-14	35 mm	105 mm



BALFOUR RSC

MB1-10-010-01

Komplett mit:

- 1 Rahmen, Spreizweite: 216 mm
- 1 Mittelvalve, B: 64 mm x T: 64 mm (MB1-10-020-01)
- 1 Paar Seitenvlaven 64 mm tief (MB1-10-040-00)
- 1 Paar Seitenvlaven 89 mm tief (MB1-10-042-00)

Complete with:

- 1 Frame, spreading width: 216 mm
- 1 Center blade, W: 64 mm x D: 64 mm (MB1-10-020-01)
- 1 Pair lateral blades 64 mm deep (MB1-10-040-00)
- 1 Pair lateral blades 89 mm deep (MB1-10-042-00)

BALFOUR RSC

MB1-10-010-02

Komplett mit:

- 1 Rahmen, Spreizweite: 267 mm
- 1 Mittelvalve, B: 85 mm x T: 70 mm (MB1-10-020-02)
- 1 Paar Seitenvlaven 64 mm tief (MB1-10-040-00)
- 1 Paar Seitenvlaven 89 mm tief (MB1-10-042-00)

Complete with:

- 1 Frame, spreading width: 267 mm
- 1 Center blade, W: 85 mm x D: 70 mm (MB1-10-020-02)
- 1 Pair lateral blades 64 mm deep (MB1-10-040-00)
- 1 Pair lateral blades 89 mm deep (MB1-10-042-00)



BALFOUR RSC

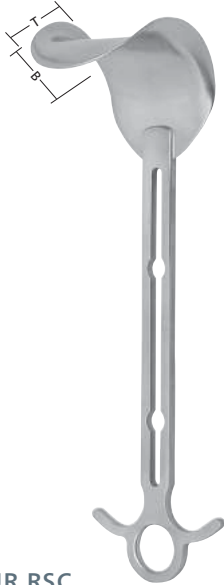
MB1-10-012

Komplett mit:

- 1 Rahmen, Spreizweite: 216 mm mit fest stehenden Seitenvlaven 64 mm
- 1 Mittelvalve, B: 64 mm x T: 64 mm (MB1-10-020-01)

Complete with:

- 1 Frame, spreading width: 216 mm with fixed lateral blades 64 mm
- 1 Center blade, W: 64 mm x D: 64 mm (MB1-10-020-01)



BALFOUR RSC

	B – width	T – depth
MB1-10-020-01	64 mm	64 mm
MB1-10-020-02	85 mm	70 mm
MB1-10-020-03	93 mm	44 mm
MB1-10-020-05	64 mm	44 mm

Mittelvalve
Center blade



BALFOUR RSC

	T – depth
MB1-10-040-00	64 mm
MB1-10-042-00	89 mm
MB1-10-044-00	100 mm

1 Paar Seitenvalven, mit Fenster
1 Pair lateral blades, fenestrated



BALFOUR RSC

	B – width	T – depth
MB1-10-020-04	51 mm	198 mm
MB1-10-020-10	51 mm	171 mm
MB1-10-020-12	57 mm	267 mm

Mittelvalve, biegsam
Center blade, malleable



BALFOUR RSC

	T – depth
MB1-10-050-00	64 mm
MB1-10-052-00	89 mm
MB1-10-054-00	100 mm

1 Paar Seitenvalven, geschlossen
1 Pair lateral blades, closed



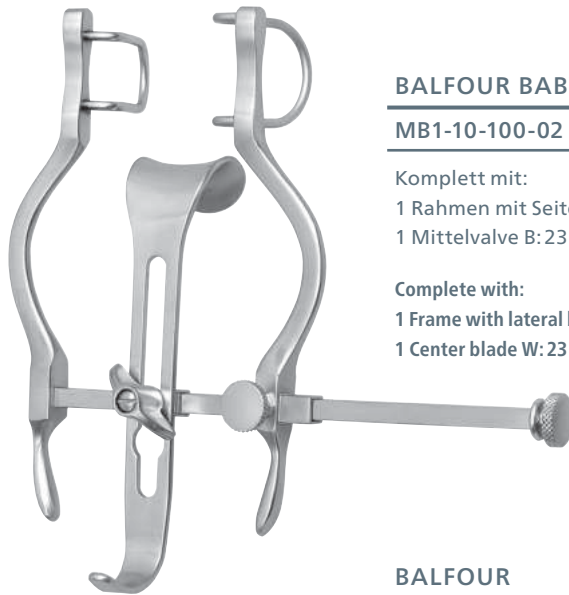
BALFOUR RSC

MB1-10-060-01

Seitenarm links
Side-arm left

MB1-10-060-02

Seitenarm rechts
Side-arm right



BALFOUR BABY

MB1-10-100-02

Komplett mit:

- 1 Rahmen mit Seitenvalven 38 mm, Spreizweite: 95 mm
- 1 Mittelvalve B: 23 mm x T: 25 mm (MB1-10-100-05)

Complete with:

- 1 Frame with lateral blades 38 mm, spreading width: 95 mm
- 1 Center blade W: 23 mm x D: 25 mm (MB1-10-100-05)



BALFOUR

MB1-10-150-01

Komplett mit:

- 1 Rahmen mit Seitenvalven 50 mm, Spreizweite: 180 mm
- 1 Mittelvalve, B: 75 mm x T: 50 mm (MB1-10-400-04)

Complete with:

- 1 Frame with lateral blades 50 mm, spreading width: 180 mm
- 1 Center blade, W: 75 mm x D: 50 mm (MB1-10-400-04)

MB1-10-150-02

Komplett mit:

- 1 Rahmen mit Seitenvalven 63 mm, Spreizweite: 180 mm
- 1 Mittelvalve, B: 75 mm x T: 50 mm (MB1-10-400-04)

Complete with:

- 1 Frame with lateral blades 63 mm, spreading width: 180 mm
- 1 Center blade, W: 75 mm x D: 50 mm (MB1-10-400-04)

MB1-10-150-03

Komplett mit:

- 1 Rahmen mit Seitenvalven 100 mm, Spreizweite: 180 mm
- 1 Mittelvalve, B: 85 mm x T: 70 mm (MB1-10-400-08)

Complete with:

- 1 Frame with lateral blades 100 mm, spreading width: 180 mm
- 1 Center blade, W: 85 mm x D: 70 mm (MB1-10-400-08)

MB1-10-150-07

Komplett mit:

- 1 Rahmen mit Seitenvalven 100 mm, Spreizweite: 250 mm
- 1 Mittelvalve, B: 85 mm x T: 70 mm (MB1-10-400-08)

Complete with:

- 1 Frame with lateral blades 100 mm, spreading width: 250 mm
- 1 Center blade, W: 85 mm x D: 70 mm (MB1-10-400-08)

**BALFOUR****MB1-10-150-05**

Komplett mit:

- 1 Rahmen mit Seitenvalven 50 mm, Spreizweite: 250 mm
- 1 Mittelvalve, B: 75 mm x T: 50 mm (MB1-10-400-04)

Complete with:

- 1 Frame with lateral blades 50 mm, spreading width: 250 mm
- 1 Center blade, W: 75 mm x D: 50 mm (MB1-10-400-04)

MB1-10-150-06

Komplett mit:

- 1 Rahmen mit Seitenvalven 63 mm, Spreizweite: 250 mm
- 1 Mittelvalve, B: 75 mm x T: 50 mm (MB1-10-400-04)

Complete with:

- 1 Frame with lateral blades 63 mm, spreading width: 250 mm
- 1 Center blade, W: 75 mm x D: 50 mm (MB1-10-400-04)

MB1-10-150-07

Komplett mit:

- 1 Rahmen mit Seitenvalven 100 mm, Spreizweite: 250 mm
- 1 Mittelvalve, B: 85 mm x T: 70 mm (MB1-10-400-08)

Complete with:

- 1 Frame with lateral blades 100 mm, spreading width: 250 mm
- 1 Center blade, W: 85 mm x D: 70 mm (MB1-10-400-08)

MB1-10-150-15

Komplett mit:

- 1 Rahmen mit Seitenvalven 100 mm, Spreizweite: 250 mm
- 1 Mittelvalve, B: 60 mm x T: 100 mm (MB1-10-400-12)

Complete with:

- 1 Frame with lateral blades 100 mm, spreading width: 250 mm
- 1 Center blade, W: 60 mm x D: 100 mm (MB1-10-400-12)

**BALFOUR****MB1-10-150-20**

Komplett mit:

- 1 Rahmen mit Seitenvalven 50 mm, Spreizweite: 180 mm
- 1 Mittelvalve, B: 75 mm x T: 50 mm (MB1-10-400-04)

Complete with:

- 1 Frame with lateral blades 50 mm, spreading width: 180 mm
- 1 Center blade, W: 75 mm x D: 50 mm (MB1-10-400-04)

MB1-10-150-25

Komplett mit:

- 1 Rahmen mit Seitenvalven 70 mm, Spreizweite: 180 mm
- 1 Mittelvalve, B: 75 mm x T: 50 mm (MB1-10-400-04)

Complete with:

- 1 Frame with lateral blades 70 mm, spreading width: 180 mm
- 1 Center blade, W: 75 mm x D: 50 mm (MB1-10-400-04)



BALFOUR

MB1-10-250-01

Komplett mit:

- 1 Rahmen mit feststehenden Seitenvalven 50 mm
- Spreizweite: 180 mm
- 1 Mittelvalve, B: 75 mm x T: 50 mm (MB1-10-400-04)

Complete with:

- 1 Frame with fixed lateral blades 50 mm
- Spreading width: 180 mm
- 1 Center blade, W: 75 mm x D: 50 mm (MB1-10-400-04)

MB1-10-250-05

Komplett mit:

- 1 Rahmen mit feststehenden Seitenvalven 100 mm
- Spreizweite: 180 mm
- 1 Mittelvalve, B: 60 mm x T: 100 mm (MB1-10-400-12)

Complete with:

- 1 Frame with fixed lateral blades 100 mm
- Spreading width: 180 mm
- 1 Center blade, W: 60 mm x D: 100 mm (MB1-10-400-12)

MB1-10-250-10

Komplett mit:

- 1 Rahmen mit feststehenden Seitenvalven 50 mm
- Spreizweite: 180 mm
- 1 Mittelvalve, B: 68 mm x T: 40 mm (MB1-10-400-02)

Complete with:

- 1 Frame with fixed lateral blades 50 mm
- Spreading width: 180 mm
- 1 Center blade, W: 68 mm x D: 40 mm (MB1-10-400-02)

MB1-10-250-15

Komplett mit:

- 1 Rahmen mit feststehenden Seitenvalven 75 mm
- Spreizweite: 180 mm
- 1 Mittelvalve, B: 68 mm x T: 40 mm (MB1-10-400-02)

Complete with:

- 1 Frame with fixed lateral blades 75 mm
- Spreading width: 180 mm
- 1 Center blade, W: 68 mm x D: 40 mm (MB1-10-400-02)

**BALFOUR US-TYP****MB1-10-300-01**

Komplett mit:

- 1 Rahmen, Spreizweite: 180 mm
- 1 Mittelvalve, B: 68 mm x T: 40 mm (MB1-10-400-02)
- 1 Mittelvalve, B: 85 mm x T: 70 mm (MB1-10-400-08)
- 1 Paar Seitenvalven 50 mm tief (MB1-10-300-30)
- 1 Paar Seitenvalven 75 mm tief (MB1-10-300-35)

Complete with:

- 1 Frame , spreading width: 180 mm
- 1 Center blade, W: 68 mm x D: 40 mm (MB1-10-400-02)
- 1 Center blade, W: 85 mm x D: 70 mm (MB1-10-400-08)
- 1 Pair lateral blades 50 mm deep (MB1-10-300-30)
- 1 Pair lateral blades 75 mm deep (MB1-10-300-35)

**BALFOUR US-TYP****MB1-10-300-05**

Komplett mit:

- 1 Rahmen, Spreizweite: 250 mm
- 1 Mittelvalve, B: 75 mm x T: 50 mm (MB1-10-400-04)
- 1 Mittelvalve, B: 60 mm x T: 100 mm (MB1-10-400-12)
- 1 Paar Seitenvalven 50 mm tief (MB1-10-300-30)
- 1 Paar Seitenvalven 100 mm tief (MB1-10-300-40)

Complete with:

- 1 Frame, spreading width: 250 mm
- 1 Center blade, W: 75 mm x D: 50 mm (MB1-10-400-04)
- 1 Center blade, W: 60 mm x D: 100 mm (MB1-10-400-12)
- 1 Pair lateral blades 50 mm deep (MB1-10-300-30)
- 1 Pair lateral blades 100 mm deep (MB1-10-300-40)

**BALFOUR US-TYP**

	T – depth
MB1-10-300-30	50 mm – 2"
MB1-10-300-35	75 mm – 3"
MB1-10-300-40	100 mm – 4"

- 1 Paar, gefenstert
- 1 Paar, fenestrated



BALFOUR US-TYP

MB1-10-310-01

Komplett mit:

- 1 Rahmen, Spreizweite: 180 mm
- 1 Mittelvalve, B: 68 x T: 40 mm (MB1-10-400-02)
- 1 Mittelvalve, B: 85 x T: 70 mm (MB1-10-400-08)
- 1 Paar Seitenvalven 57 mm tief (MB1-10-310-30)
- 1 Paar Seitenvalven 90 mm tief (MB1-10-310-35)

Complete with:

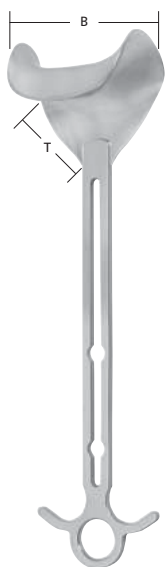
- 1 Frame, spreading width: 180 mm
- 1 Center blade, W: 68 x D: 40 mm (MB1-10-400-02)
- 1 Center blade, W: 85 x D: 70 mm (MB1-10-400-08)
- 1 Pair lateral blades 57 mm deep (MB1-10-310-30)
- 1 Pair lateral blades 90 mm deep (MB1-10-310-35)



BALFOUR US-TYP

	T – depth
MB1-10-310-30	57 mm – 2¼"
MB1-10-310-35	90 mm – 3½"
MB1-10-310-40	100 mm – 4"

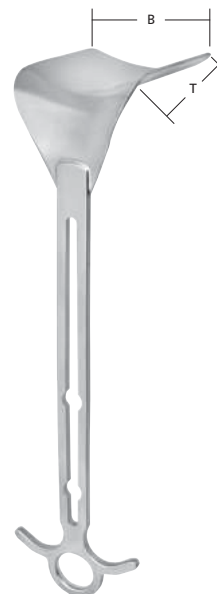
- 1 Paar
- 1 Pair



BALFOUR

	B – width	T – depth
MB1-10-400-02	68 mm	40 mm
MB1-10-400-04	75 mm	50 mm
MB1-10-400-08	85 mm	70 mm
MB1-10-400-10	93 mm	44 mm

Mittelvalven
Center blades



BALFOUR

	B – width	T – depth
MB1-10-400-12	60 mm	100 mm
MB1-10-400-13	70 mm	100 mm

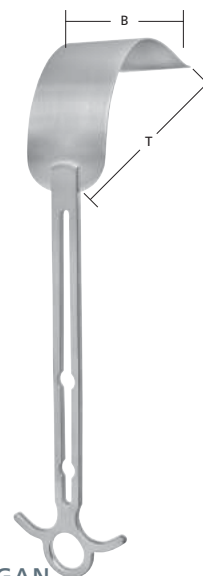
Mittelvalven
Center blades



BALFOUR HORGAN

	B – width	T – depth
MB1-10-400-14	50 mm	198 mm

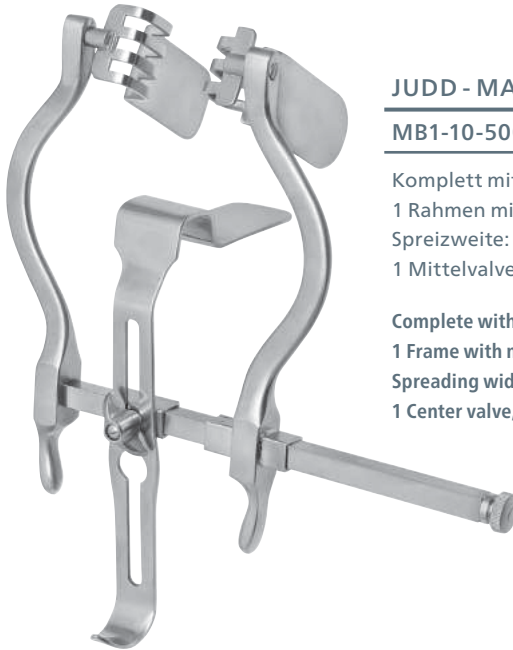
Mittelvalve, biegsam
Center blade, malleable



BALFOUR HORGAN

	B – width	T – depth
MB1-10-400-16	50 mm	127 mm

Mittelvalve, biegsam
Center blade, malleable



JUDD - MASSON

MB1-10-500-03

Komplett mit:

1 Rahmen mit beweglichen Seitenvalven 70 mm (MB1-10-500-01)

Spreizweite: 100 mm

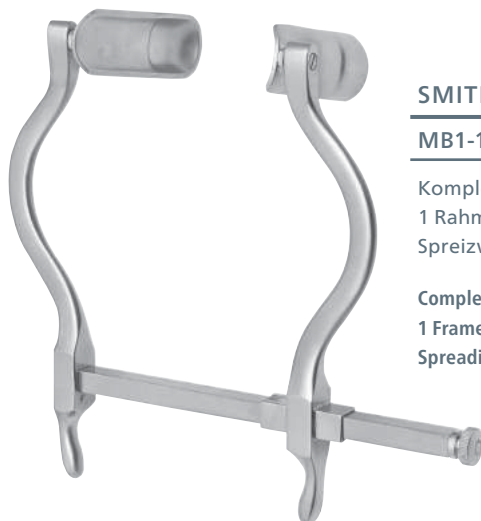
1 Mittelvalve, B: 25 mm x T: 70 mm (MB1-10-501-01)

Complete with:

1 Frame with movable lateral blades 70 mm (MB1-10-500-01)

Spreading width: 100 mm

1 Center valve, W: 25 mm x D: 70 mm (MB1-10-501-01)



SMITH

MB1-10-550-05

Komplett mit:

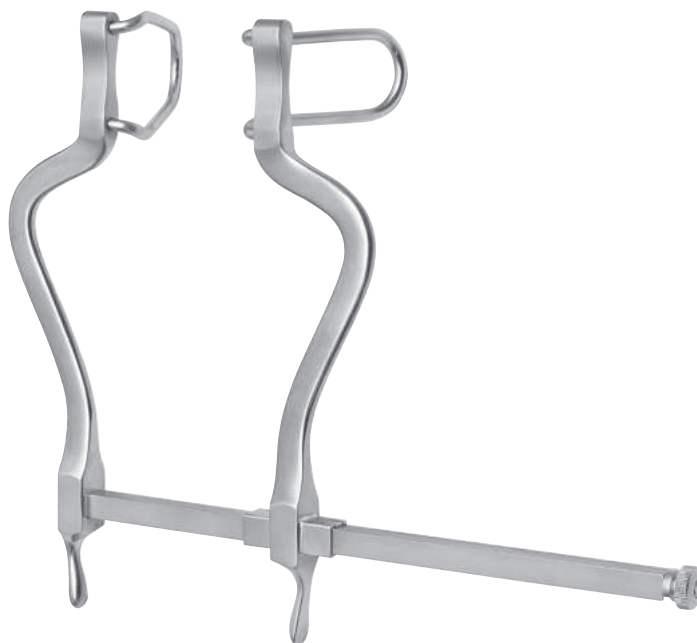
1 Rahmen mit beweglichen Seitenvalven, B: 22 mm x T: 70 mm

Spreizweite: 100 mm

Complete with:

1 Frame with movable lateral blades, W: 22 mm x D: 70 mm

Spreading width: 100 mm

**GOSSET****MB1-10-570-05**

Komplett mit:
1 Rahmen mit Seitenvalven, B: 26 mm x T: 39 mm
Spreizweite: 100 mm

Complete with:
1 Frame with lateral blades, W: 26 mm x D: 39 mm
Spreading width: 100 mm

GOSSET BABY**MB1-10-570-30**

Komplett mit:
1 Rahmen mit geraden Seitenarmen und Seitenvalven,
B: 30 mm x T: 40 mm; Spreizweite: 120 mm

Complete with:
1 Frame with straight arms and lateral blades,
W: 30 mm x D: 40 mm, Spreading width: 120 mm

MB1-10-570-10

Komplett mit:
1 Rahmen mit Seitenvalven, B: 26 mm x T: 64 mm
Spreizweite: 140 mm

Complete with:
1 Frame with lateral blades, W: 26 mm x D: 64 mm
Spreading width: 140 mm

GOSSET**MB1-10-570-40**

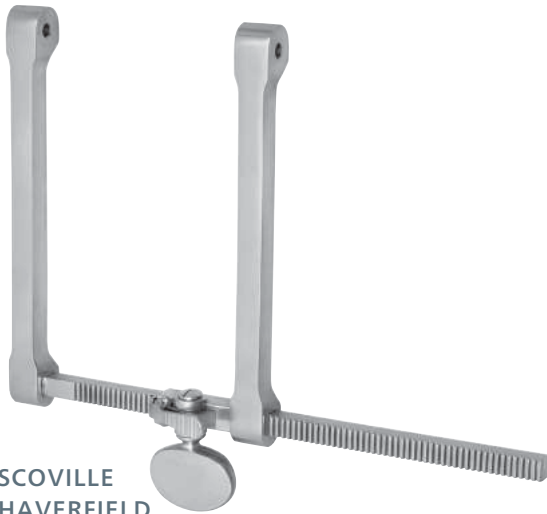
Komplett mit:
1 Rahmen mit geraden Seitenarmen und Seitenvalven,
mit Mittelvalve; B: 56 mm x T: 60 mm; Spreizweite: 160 mm

Complete with:
1 Frame with straight arms and lateral blades,
with center blade: W: 56 mm x D: 60 mm,
Spreading width: 160 mm

**HIMMELSTEIN****MB1-10-605-10**

Komplett mit:
1 Rahmen, Spreizweite: 127 mm
2 Valven, B: 35 mm x T: 29 mm (MB1-10-626-02)

Complete with:
1 Frame, spreading width: 127 mm
2 Blades, W: 35 mm x D: 29 mm (MB1-10-626-02)



SCOVILLE
HAVERFIELD

MB1-10-600-05

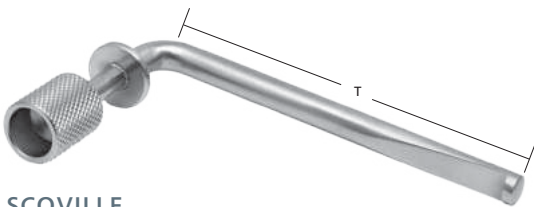
Rahmen, fest, alleine, Spreizweite: 171 mm
Frame, stiff, only, spreading width: 171 mm



SCOVILLE
HAVERFIELD

MB1-10-600-10

Rahmen, knickbar, alleine, Spreizweite: 171 mm
Frame, bendable, only, spreading width: 171 mm



SCOVILLE

	T – depth
MB1-10-610-02	51 mm
MB1-10-610-04	75 mm

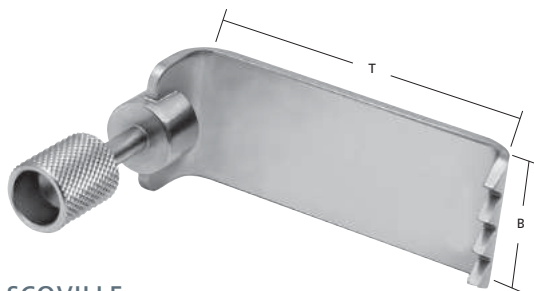
Haken
Hook



SCOVILLE

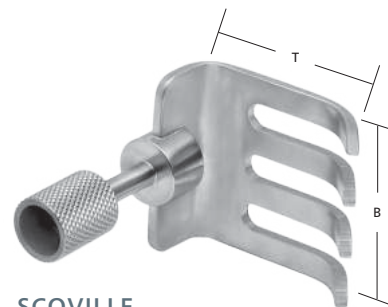
	T – depth
MB1-10-610-06	51 mm
MB1-10-610-08	75 mm

Haken mit Querstütze
Hook with cross bar



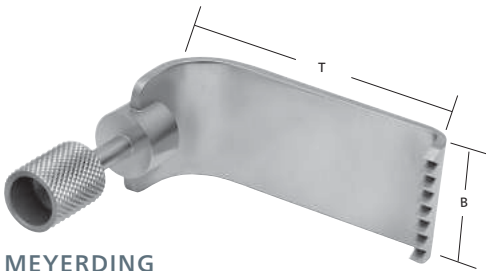
SCOVILLE

	B – width	T – depth
MB1-10-612-02	26 mm	63 mm
MB1-10-612-04	51 mm	63 mm
MB1-10-612-06	32 mm	66 mm
MB1-10-612-08	26 mm	89 mm



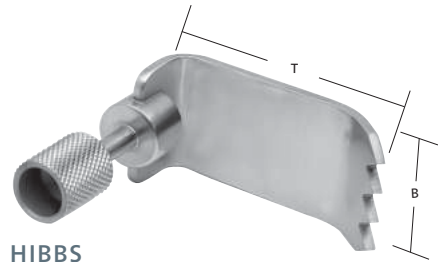
SCOVILLE

	B – width	T – depth
MB1-10-614-02	38 mm	41 mm
MB1-10-614-04	48 mm	66 mm



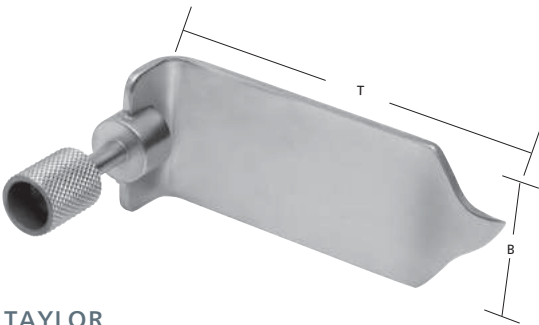
MEYERDING

	B – width	T – depth
MB1-10-616-02	26 mm	61 mm
MB1-10-616-04	26 mm	67 mm
MB1-10-616-06	51 mm	89 mm



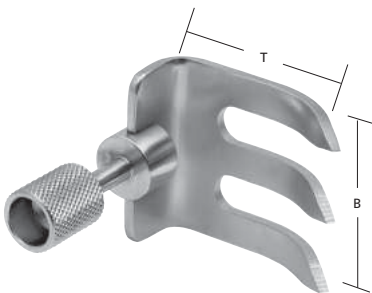
HIBBS

	B – width	T – depth
MB1-10-618-02	26 mm	51 mm
MB1-10-618-04	51 mm	51 mm
MB1-10-618-06	26 mm	63 mm
MB1-10-618-08	38 mm	63 mm
MB1-10-618-10	26 mm	76 mm
MB1-10-618-12	38 mm	76 mm
MB1-10-618-14	51 mm	76 mm
MB1-10-618-16	26 mm	101 mm
MB1-10-618-18	51 mm	101 mm



TAYLOR

	B – width	T – depth
MB1-10-620-02	32 mm	76 mm
MB1-10-620-04	32 mm	101 mm



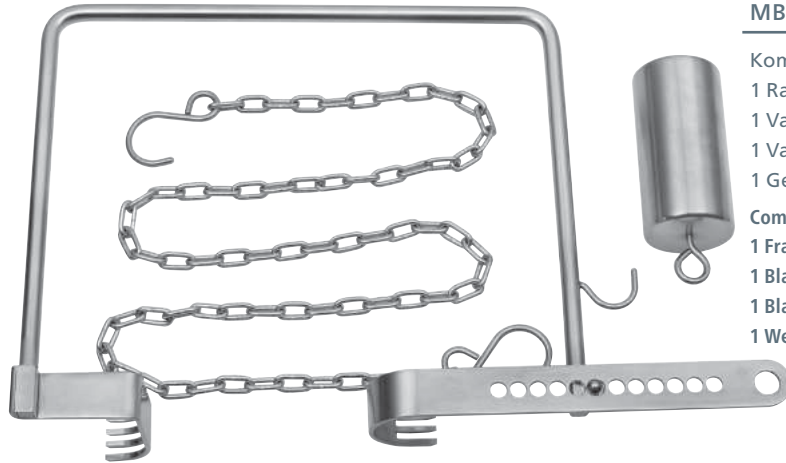
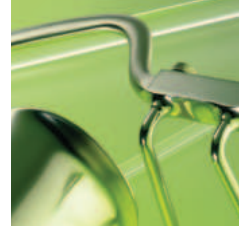
TAYLOR

	B – width	T – depth
MB1-10-622-02	38 mm	44 mm



TAYLOR

	B – width	T – depth
MB1-10-624-02	51 mm	48 mm
MB1-10-624-04	63 mm	63 mm
MB1-10-624-06	58 mm	82 mm



CHARNLEY

MB1-15-450-02

Komplett mit:

- 1 Rahmen, rund, Ø 10 mm (MB1-15-452-20)
- 1 Valve klein, B: 25 mm x T: 50 mm (MB1-15-452-02)
- 1 Valve groß, B: 25 mm x T: 65 mm (MB1-15-452-08)
- 1 Gewicht mit Kette (MB1-15-452-12)

Complete with:

- 1 Frame, round, Ø10 mm (MB1-15-452-20)
- 1 Blade small, W: 25 mm x D: 50 mm (MB1-15-452-02)
- 1 Blade large, W: 25 mm x D: 65 mm (MB1-15-452-08)
- 1 Weight with chain (MB1-15-452-12)



CHARNLEY

MB1-15-460-02

Komplett mit:

- 1 Rahmen, quadratisch, 8x8 mm (MB1-15-462-20)
- 1 Valve klein, B: 25 mm x T: 38 mm (MB1-15-462-02)
- 1 Valve groß, B: 25 mm x T: 44 mm (MB1-15-462-08)
- 1 Gewicht mit Kette (MB1-15-462-12)

Complete with:

- 1 Frame, square, 8x8 mm (MB1-15-462-20)
- 1 Blade small, W: 25 mm x D: 38 mm (MB1-15-462-02)
- 1 Blade large, W: 25 mm x D: 44 mm (MB1-15-462-08)
- 1 Weight with chain (MB1-15-462-12)

CHARNLEY

	B – width	T – depth
MB1-15-462-02	25 mm – 1"	38 mm – 1½"
MB1-15-462-07	25 mm – 1"	75 mm – 3"
MB1-15-462-14	25 mm – 1"	101 mm – 4"
MB1-15-462-16	25 mm – 1"	127 mm – 5"
MB1-15-462-18	25 mm – 1"	25 mm – 1"
MB1-15-462-21	25 mm – 1"	50 mm – 2"
MB1-15-462-22	25 mm – 1"	63 mm – 2½"
MB1-15-462-23	25 mm – 1"	57 mm – 2¼"
MB1-15-462-27	25 mm – 1"	114 mm – 4½"

Valven klein
Blades small

CHARNLEY

	B – width	T – depth
MB1-15-462-08	25 mm – 1"	44 mm – 1¾"
MB1-15-462-09	25 mm – 1"	63 mm – 2½"
MB1-15-462-13	25 mm – 1"	75 mm – 3"
MB1-15-462-15	25 mm – 1"	101 mm – 4"
MB1-15-462-17	25 mm – 1"	127 mm – 5"
MB1-15-462-19	25 mm – 1"	25 mm – 1"
MB1-15-462-24	25 mm – 1"	57 mm – 2¼"
MB1-15-462-26	25 mm – 1"	50 mm – 2"
MB1-15-462-28	25 mm – 1"	114 mm – 4½"

Valven groß
Blades large



DOYEN

MB1-12-001-01

170 mm – 7"

Myomheber, klein
Myoma screw, small

DOYEN

MB1-12-001-02

170 mm – 7"

Myomheber, groß
Myoma screw, large